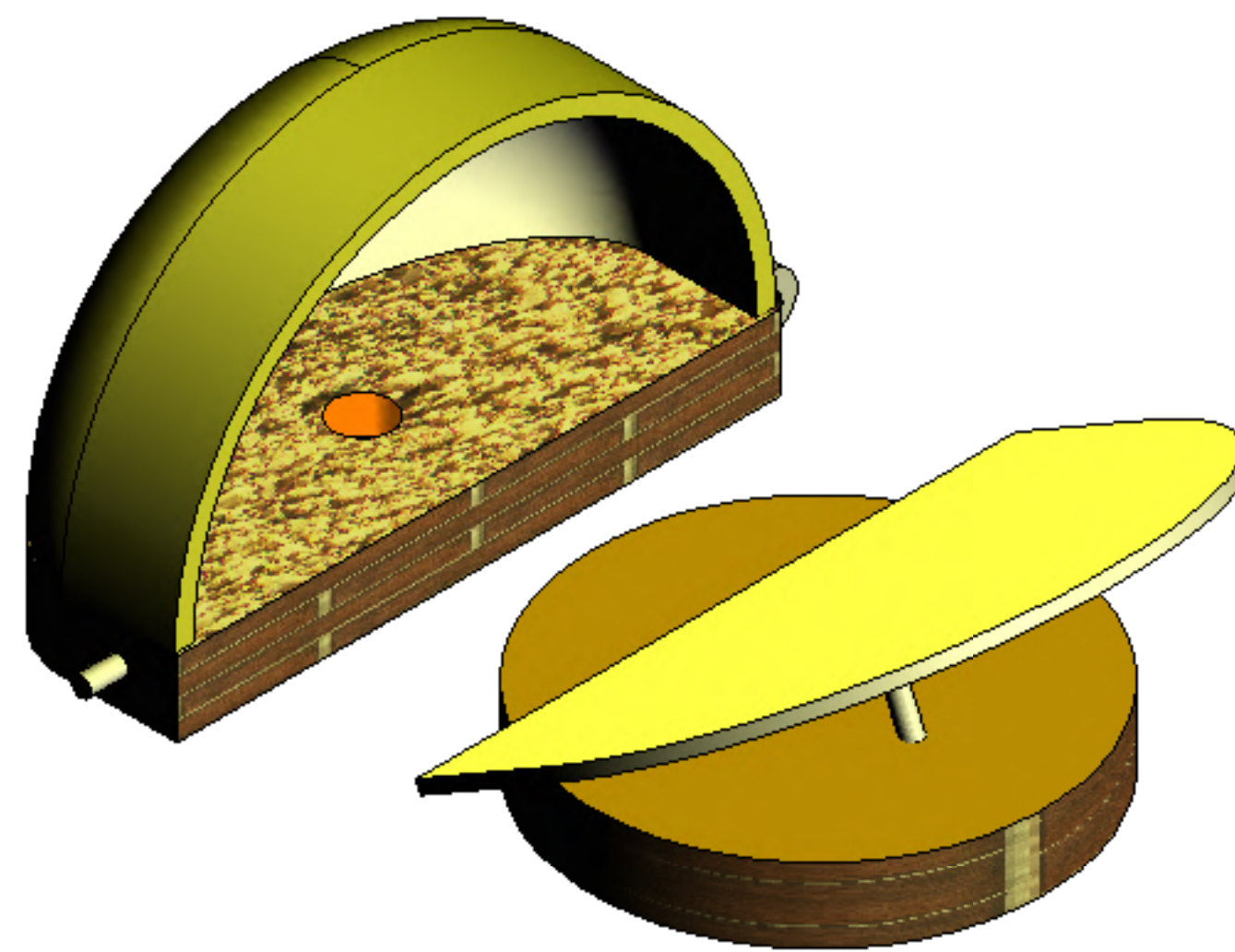
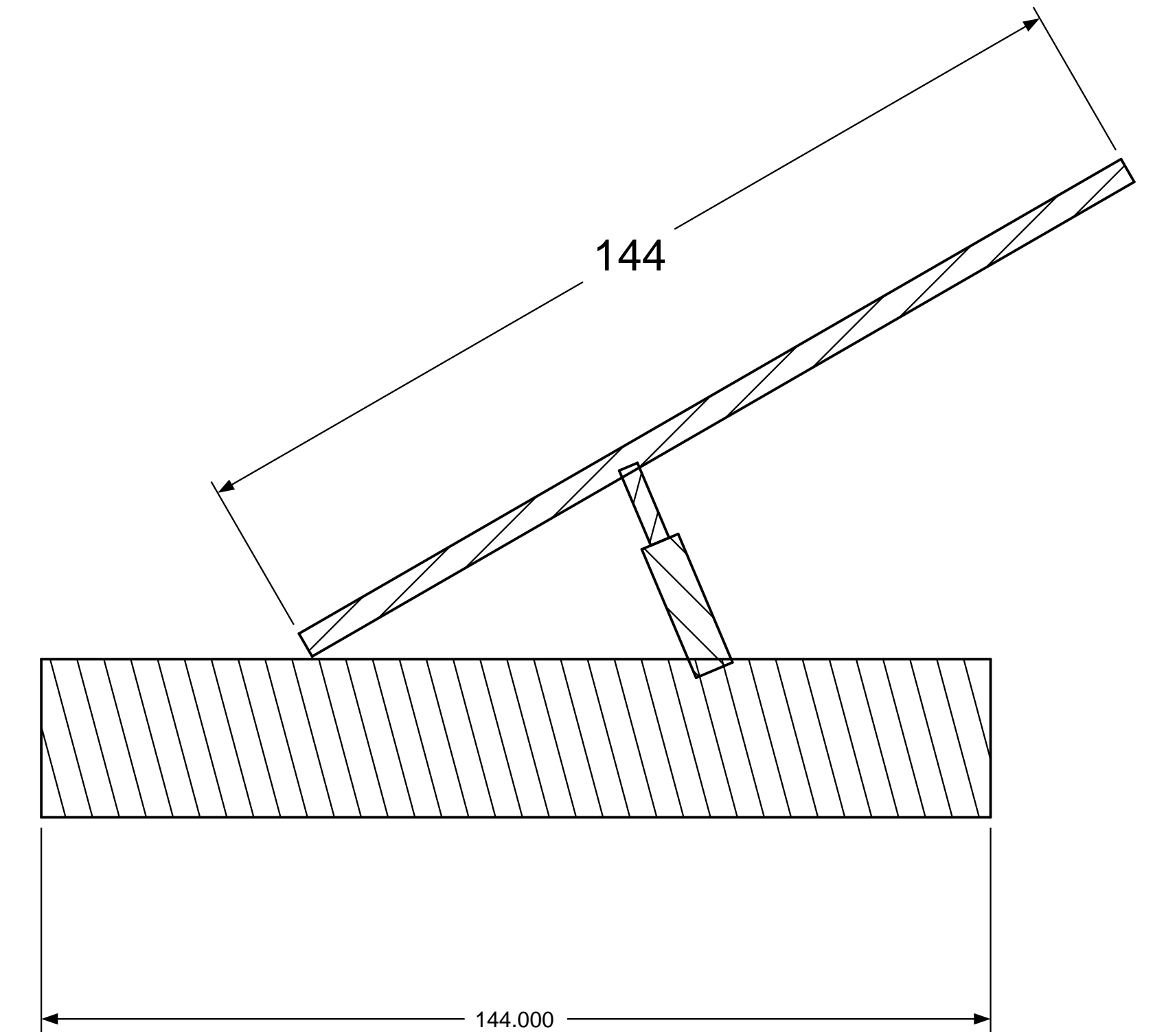
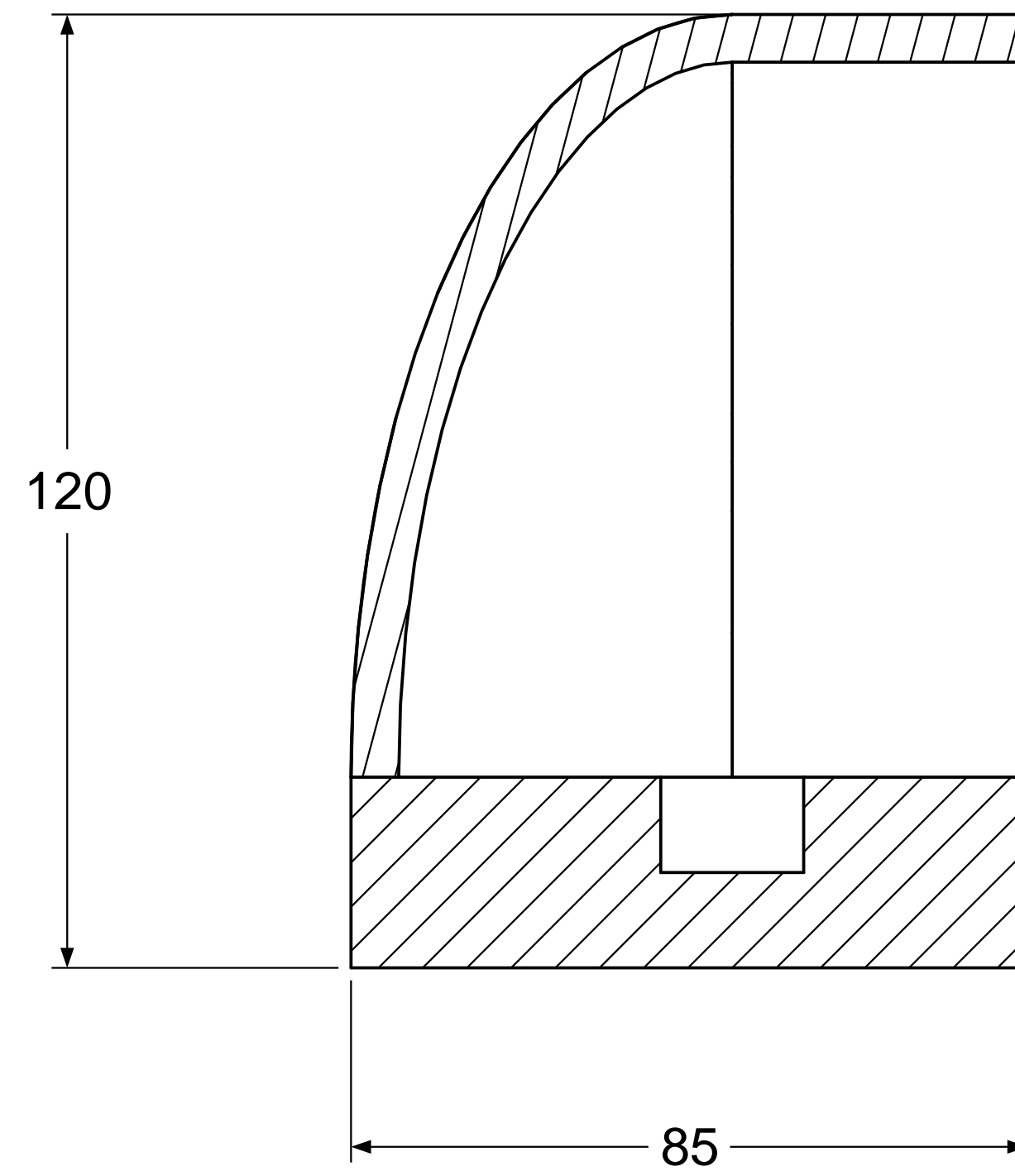
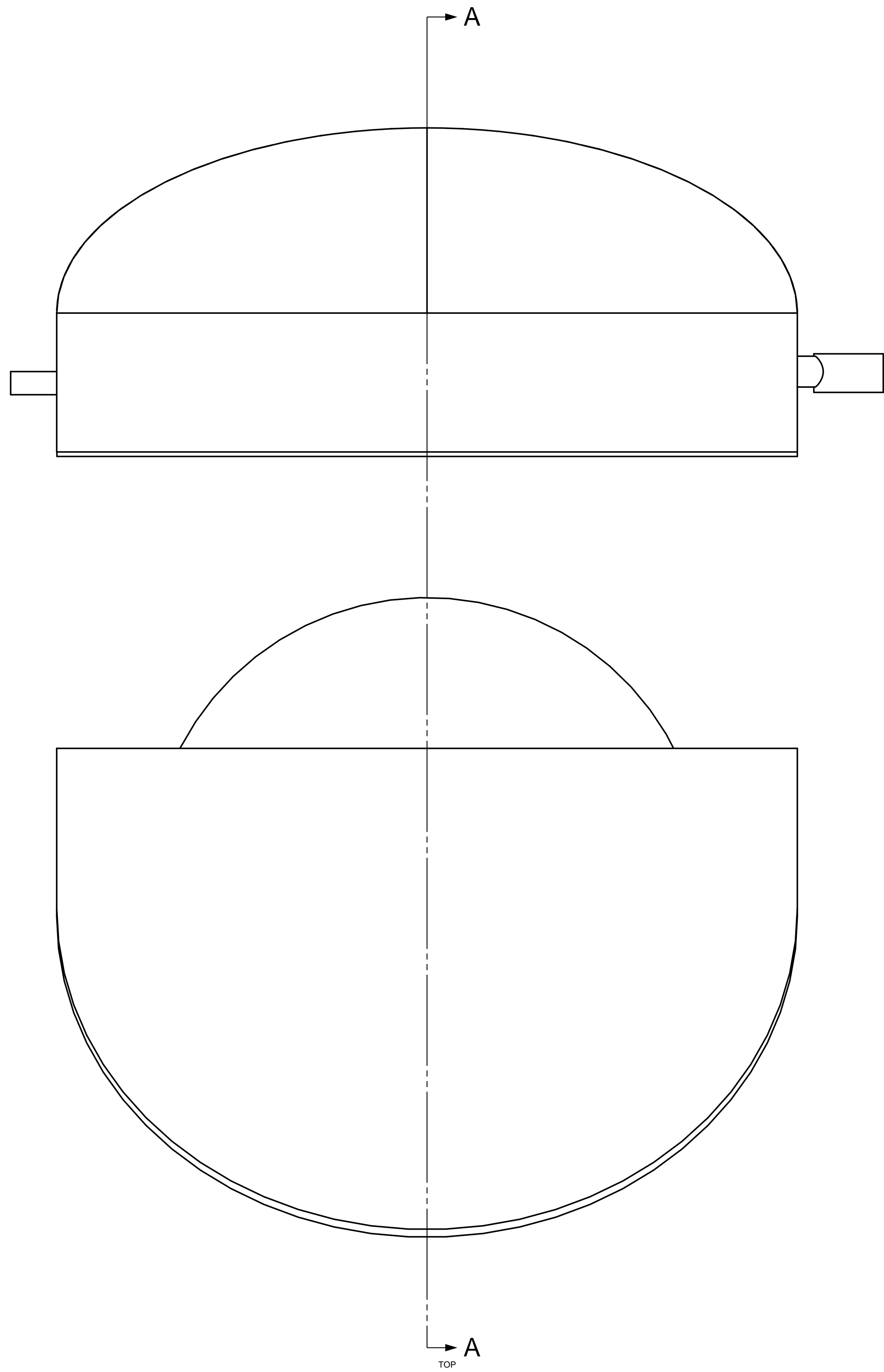


# SOLAR SMELTERS INTERNATIONAL



RIGHT

Martin Nix - inventor  
patent applied  
3/16/10