

Solar Wedge Cooker

Solar

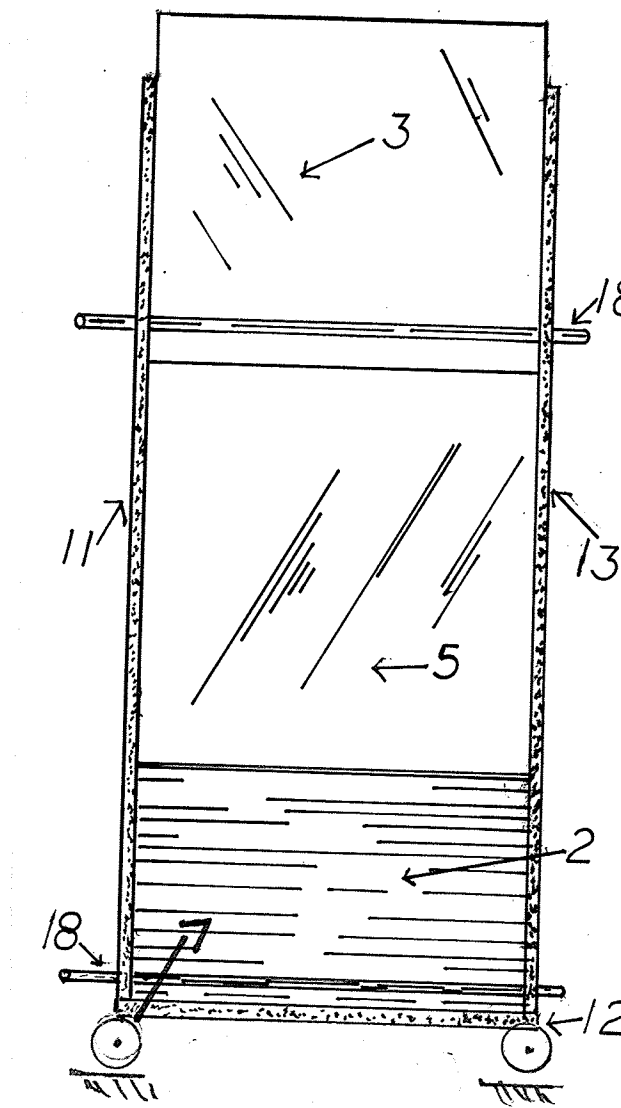
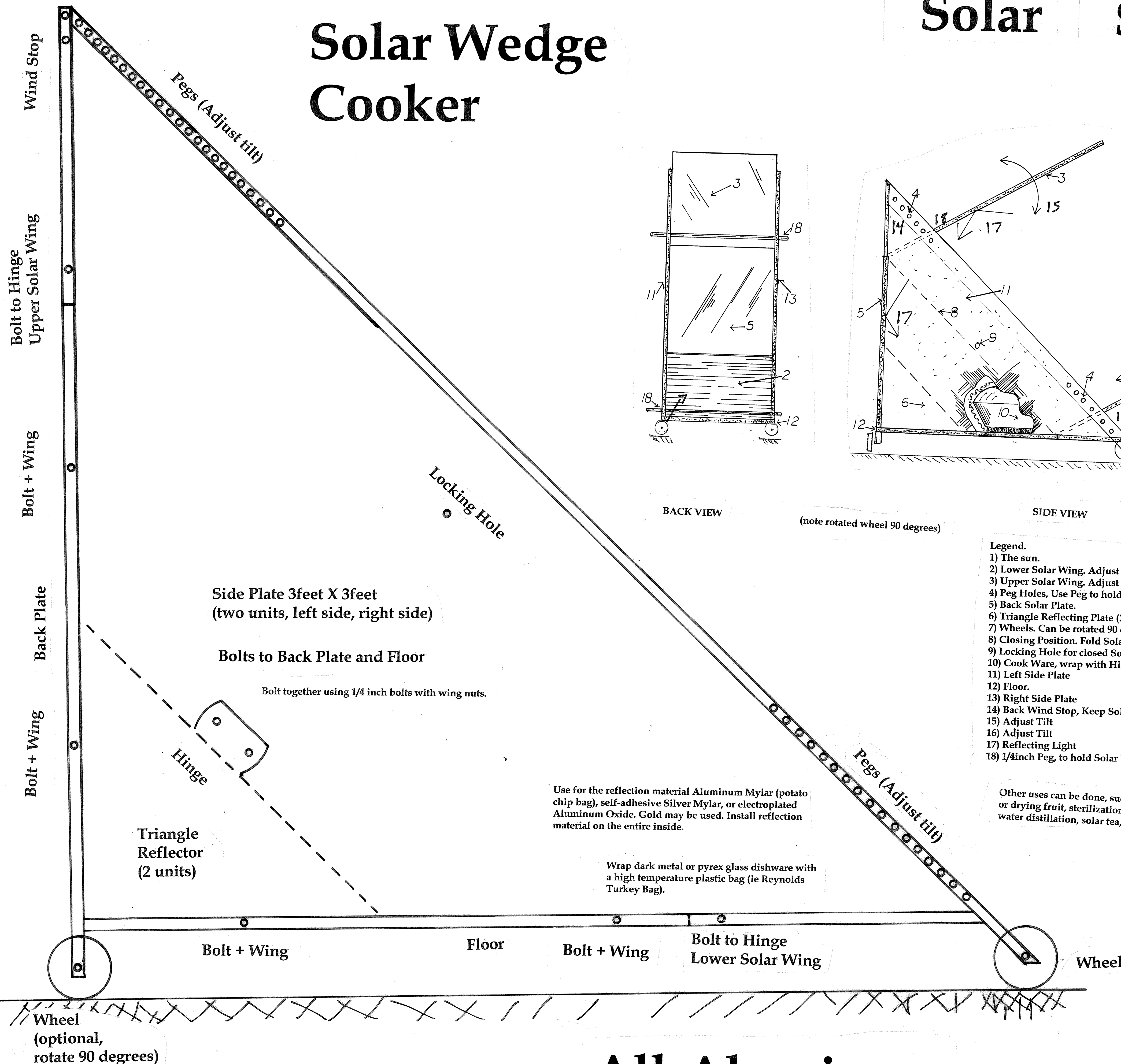
Smelters

International

BUILD YOURSELF DRAWINGS

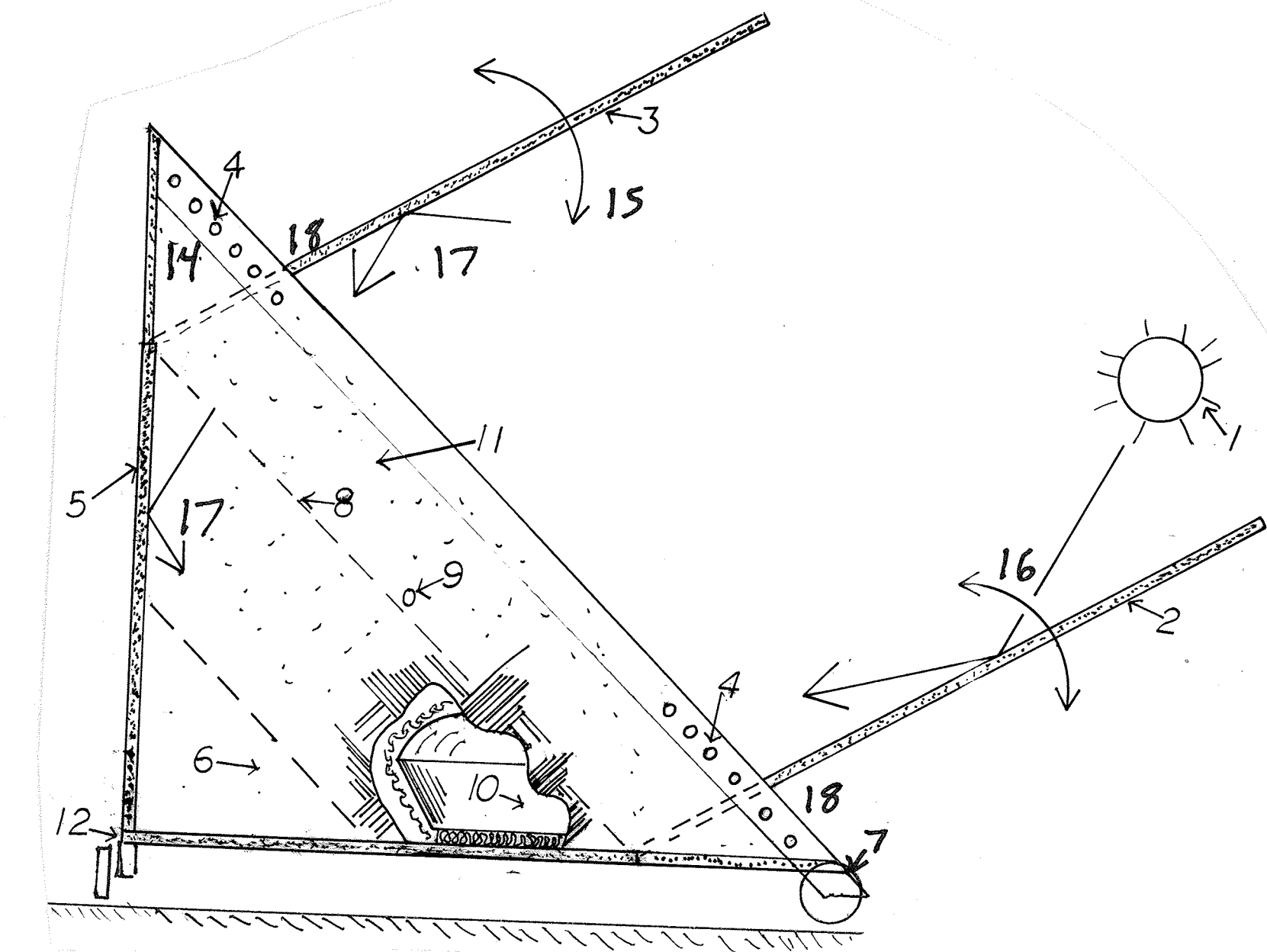
Biodiesel Processor

For biodiesel processing, put grease into a Clear Plastic Container, and heat grease with concentrated sunlight. Sunlight helps heat grease for preprocessing for the chemical biodiesel process. Sunlight also breaks down molecules with light of the grease into shorter molecules, making for better quality biodiesel.



BACK VIEW

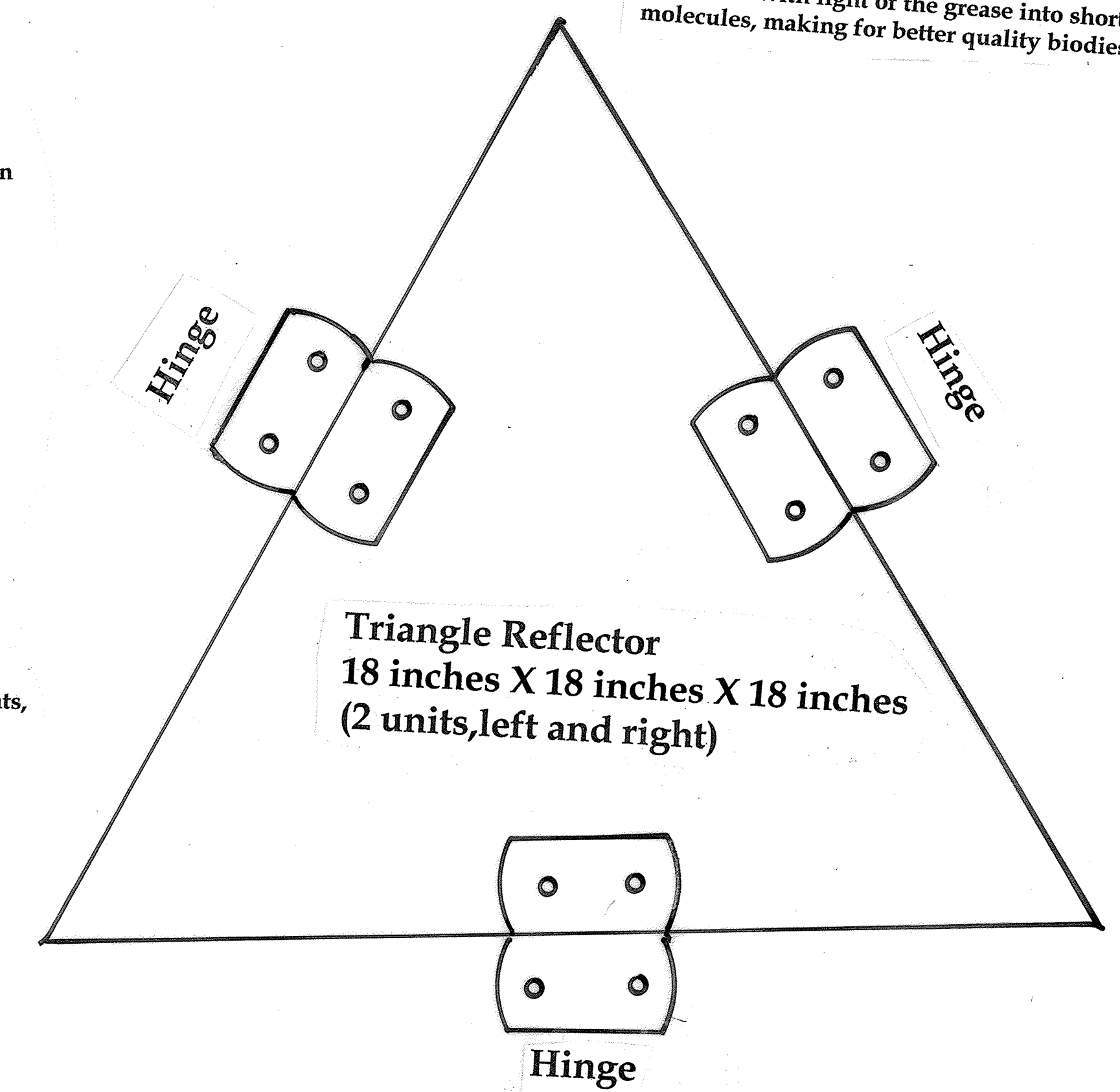
(note rotated wheel 90 degrees)



SIDE VIEW

- Legend.
- 1) The sun.
 - 2) Lower Solar Wing. Adjust by tilting.
 - 3) Upper Solar Wing. Adjust by tilting.
 - 4) Peg Holes, Use Peg to hold Solar Wing in Position
 - 5) Back Solar Plate.
 - 6) Triangle Reflecting Plate (2 units)
 - 7) Wheels. Can be rotated 90 degrees.
 - 8) Closing Position. Fold Solar Wings to close.
 - 9) Locking Hole for closed Solar Wings.
 - 10) Cook Ware, wrap with High Temperature Bag.
 - 11) Left Side Plate
 - 12) Floor.
 - 13) Right Side Plate
 - 14) Back Wind Stop, Keep Solar Wings from flying
 - 15) Adjust Tilt
 - 16) Adjust Tilt
 - 17) Reflecting Light
 - 18) 1/4inch Peg, to hold Solar Wings in Place.

Other uses can be done, such as drying fish, or drying fruit, sterilization of medical instruments, water distillation, solar tea, etc.



Triangle Reflector
18 inches X 18 inches X 18 inches
(2 units, left and right)

Side Plate 3feet X 3feet
(two units, left side, right side)

Bolts to Back Plate and Floor

Bolt together using 1/4 inch bolts with wing nuts.

Triangle Reflector
(2 units)

Use for the reflection material Aluminum Mylar (potato chip bag), self-adhesive Silver Mylar, or electroplated Aluminum Oxide. Gold may be used. Install reflection material on the entire inside.

Wrap dark metal or pyrex glass dishware with a high temperature plastic bag (ie Reynolds Turkey Bag).

All-Aluminum

Use 1 inch X 1 inch Aluminum Square Tubing. Rivet every 1 1/2 inches to Aluminum Sheet Metal. Care should be taken for sharp edges. Silver Tape Edges of Triangle Plate to reduce hazard of sharp cuts. Eye Ware Recommended.

Disclaimer: Use at your own risk. Experimental. The user shall NOT hold the inventor, Sunbustion, or Solar Smelters International liable for misuse, abuse, misclaims, or injury. The user shall be responsible for proper cooking of food, and it's safe operation.

For additional information
www.solarwashington.org
www.solarcookers.org
www.solarsmeltersinternational.org

Inventor: Martin Nix
POBox 95173
Seattle, Wa 98145-2173
March 2010

Patent Pending
Wedge Shape Solar Cooker
Application 12284177

Members of Solar Cookers International or Solar Smelters International are entitled to make for personal or village/neighborhood use. For mass production rights contact Solar Smelters International or the Inventor.

*MN 17
March 2010
SEA #101 WA*

Wheel
(optional,
rotate 90 degrees)